

HOMIER'S FARM PRO

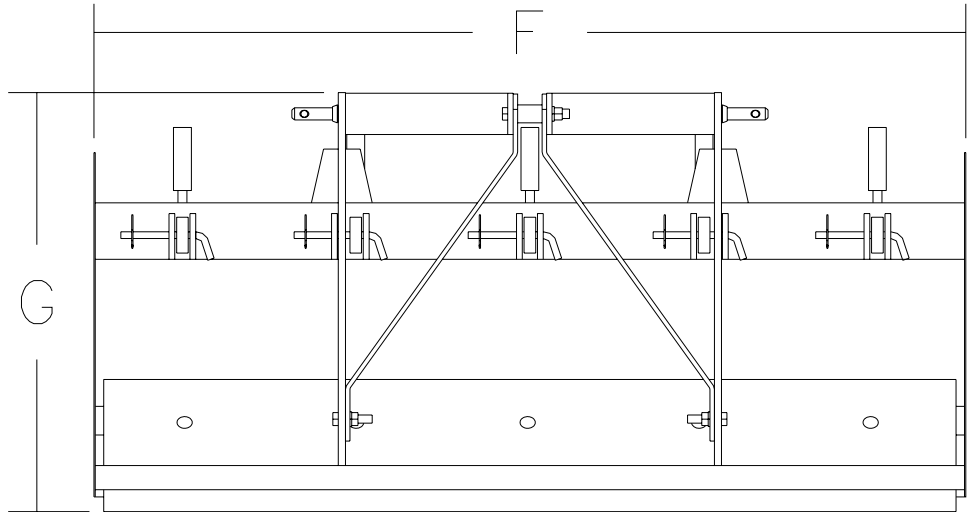
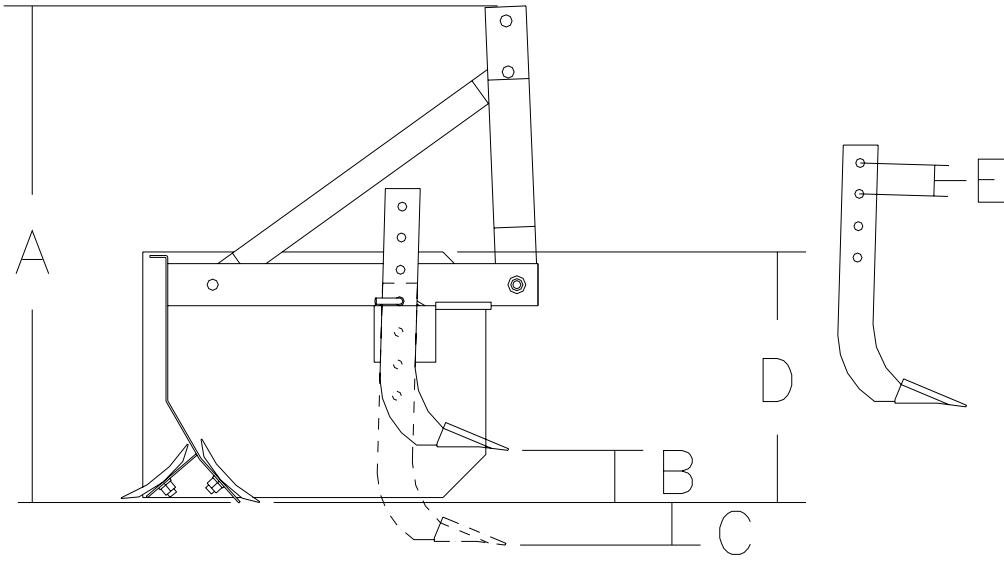


5' Scraper Box

SB5/3982

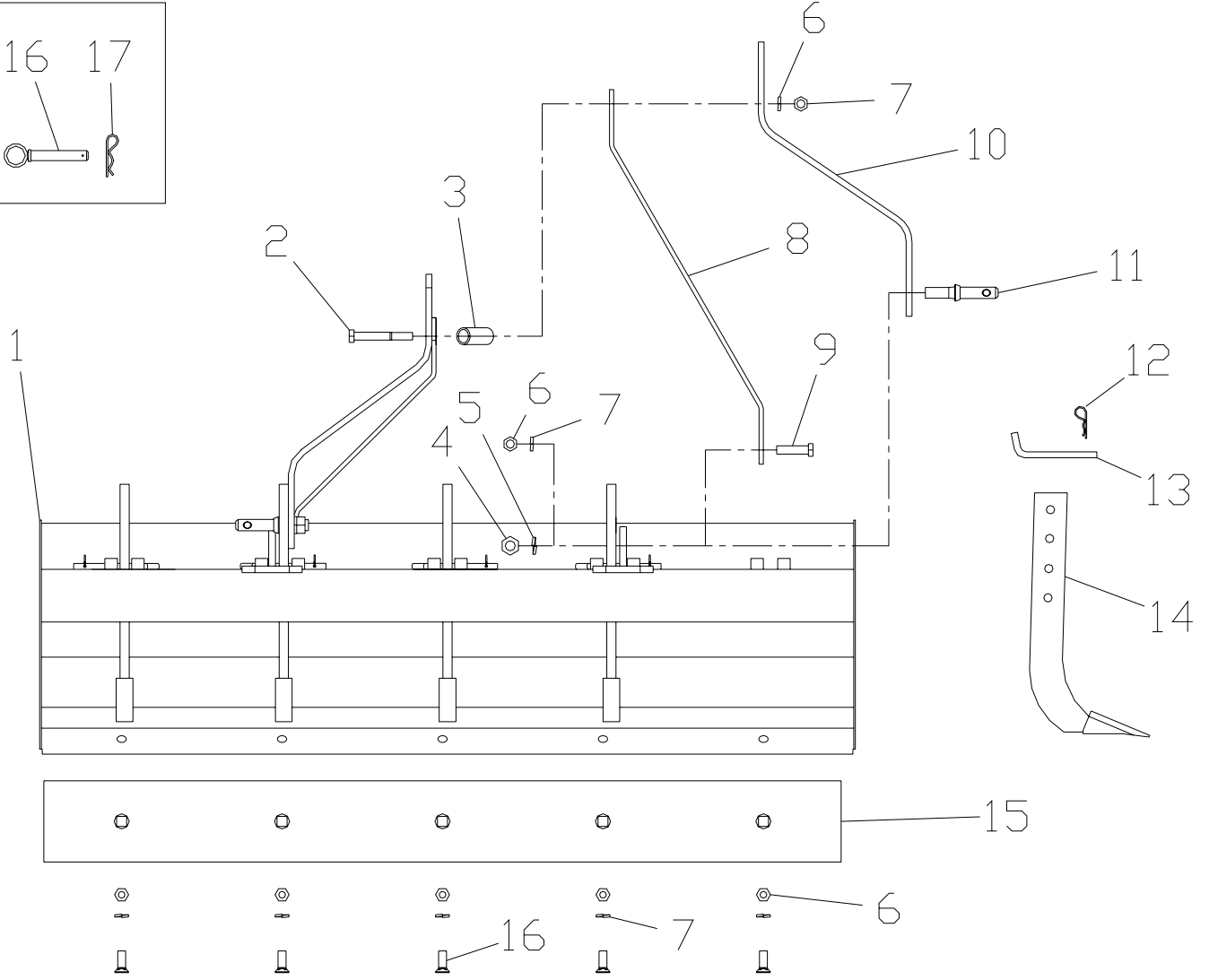
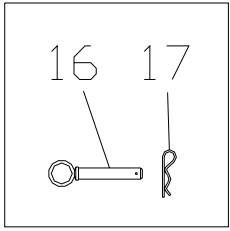
Homier Distributing Company

84 Commercial Road • Huntington, IN 46750 • (800) 348-5004 • Fax: 260-358-4159
www.homier.com or www.farmprotractors.com



Dimensions

Location	Description	Measurement
A	Box Overall Height	34 5/8"
B	Maximum Ripper Height	3 5/8"
C	Maximum Ripper Depth	3"
D	Box Height	17 1/2"
E	Ripper Adjustment	2 1/8"
F	Box Overall Width	61"
G	Box Overall Depth	29 1/4"



Parts List

Item	Part No.	Description	Qty.
1	SB5/3982-01	Scraper Box Frame	1
2	SB5/3982-02	Bolt M16x110	1
3	SB5/3982-03	Spacer	1
4	3PTF/03052-08	Nut M22	2
5	3PTF/03052-07	Lock Washer M22	2
6	SB5/3982-04	Nut M16	13
7	SB5/3982-05	Lock Washer M16	13
8	SB5/3982-06	Brace	2
9	SB5/3982-07	Bolt M16x60	2
10	SB5/3982-08	3-Point Lift Bracket	2
11	3PTF/03052-06	Lift Pin	2
12	SB5/3982-09	Hair Pin	5
13	SB5/3982-10	Scraper Tooth Pin	5
14	SB5/3982-11	Scraper Tooth	5
15	SB5/3982-12	Scraper Blade	2
16	SB5/3982-13	Scraper Blade Bolt M16x30	10
*17	<i>BSPR/03048-01</i>	<i>Pin</i>	<i>1</i>
*18	<i>BSPR/03048-02</i>	<i>Hair Pin</i>	<i>1</i>
<i>* Optional Parts</i>			