

HOMIER'S **FARM PRO**



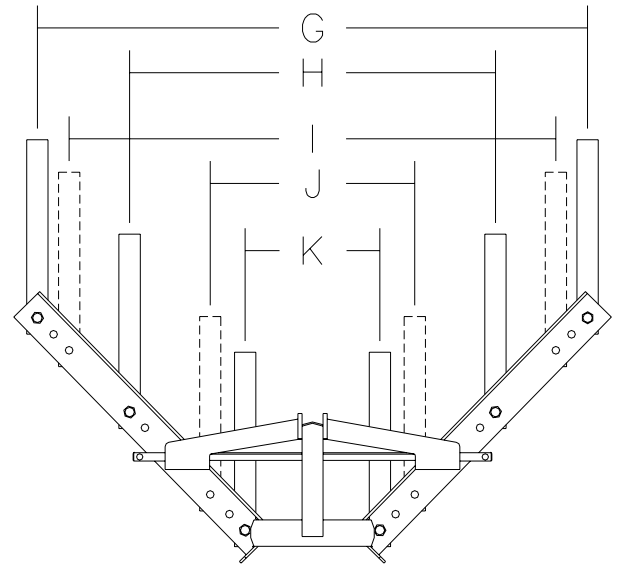
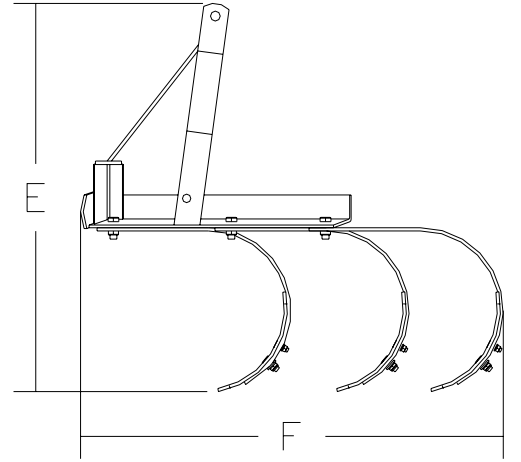
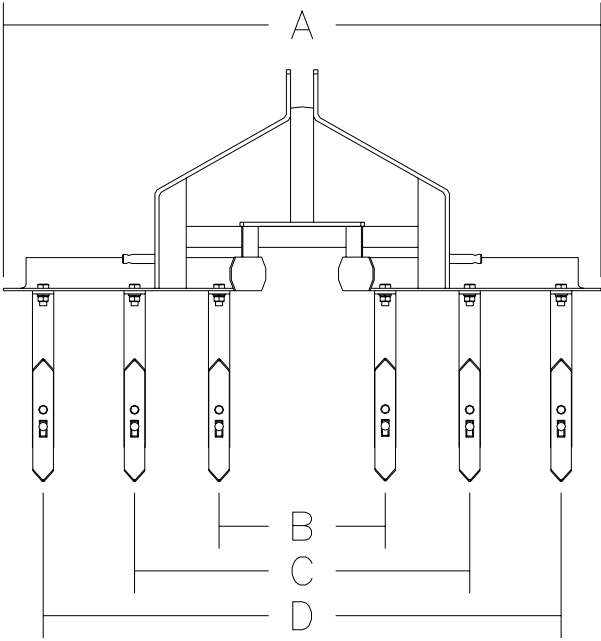
Cultivator

SKU: AG Cult. /3956

Homier Distributing Company

84 Commercial Road • Huntington, IN 46750 • (800) 348-5004 • Fax: 260-358-4159
www.homier.com or www.farmprotractors.com

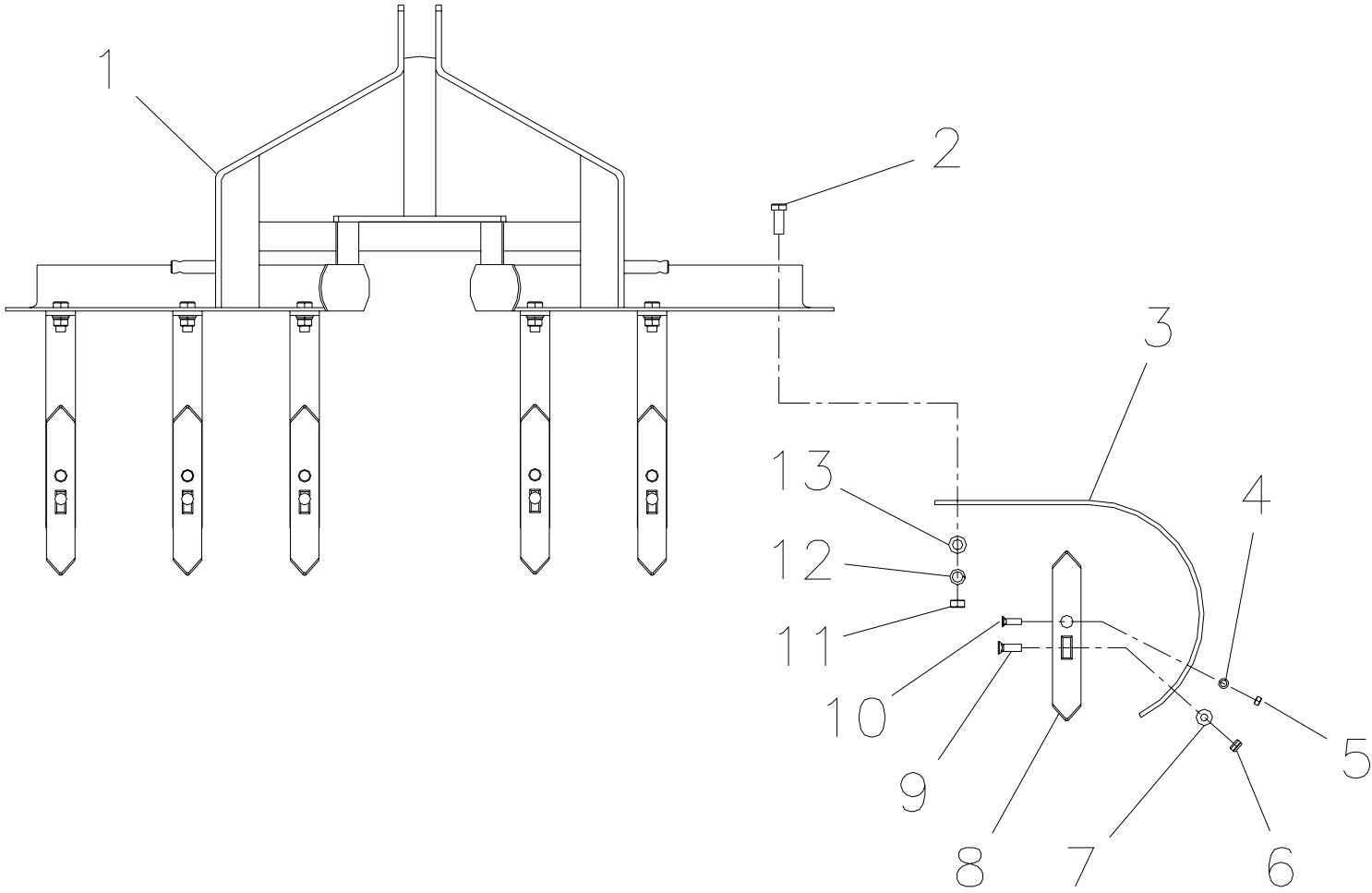
Cultivator Dimensions



Cultivator Dimensions

Location	Description	Dimension
A	Overall Width	53 1/2"
B	Front Center Tooth Spacing	14 7/8"
C	Center Inner Tooth Spacing	29 3/8"
D	Rear Center Tooth Spacing	46 1/2"
E	Overall Height	35 1/2"
F	Overall Depth	37"
G	Rear Outer Tooth Spacing	49 1/4"
H	Center Outer Tooth Spacing	32 1/8"
I	Rear Inner Tooth Spacing	43 3/4"
J	Front Outer Tooth Spacing	15 5/8"
K	Front Inner Tooth Spacing	12"

Cultivator Parts



Cultivator Parts List

Item	Part No.	Description	Qty.
1	3956-01	Cultivator Frame	1
2	3956-02	Bolt M16x40	6
3	3956-03	Spring Tooth	6
4	3956-04	Lock Washer M10	6
5	3956-05	Nut M10	6
6	3956-06	Locking Nut M12	6
7	3956-07	Washer M12	6
8	3956-08	Chisel Tooth	6
9	3956-09	Flat Head Bolt M12x30	6
10	3956-10	Flat Head Bolt M10x25	6
11	3956-11	Nut M16	6
12	3956-12	Lock Washer M16	6
13	3956-13	Washer M16	6