

HOMIER'S FARM PRO

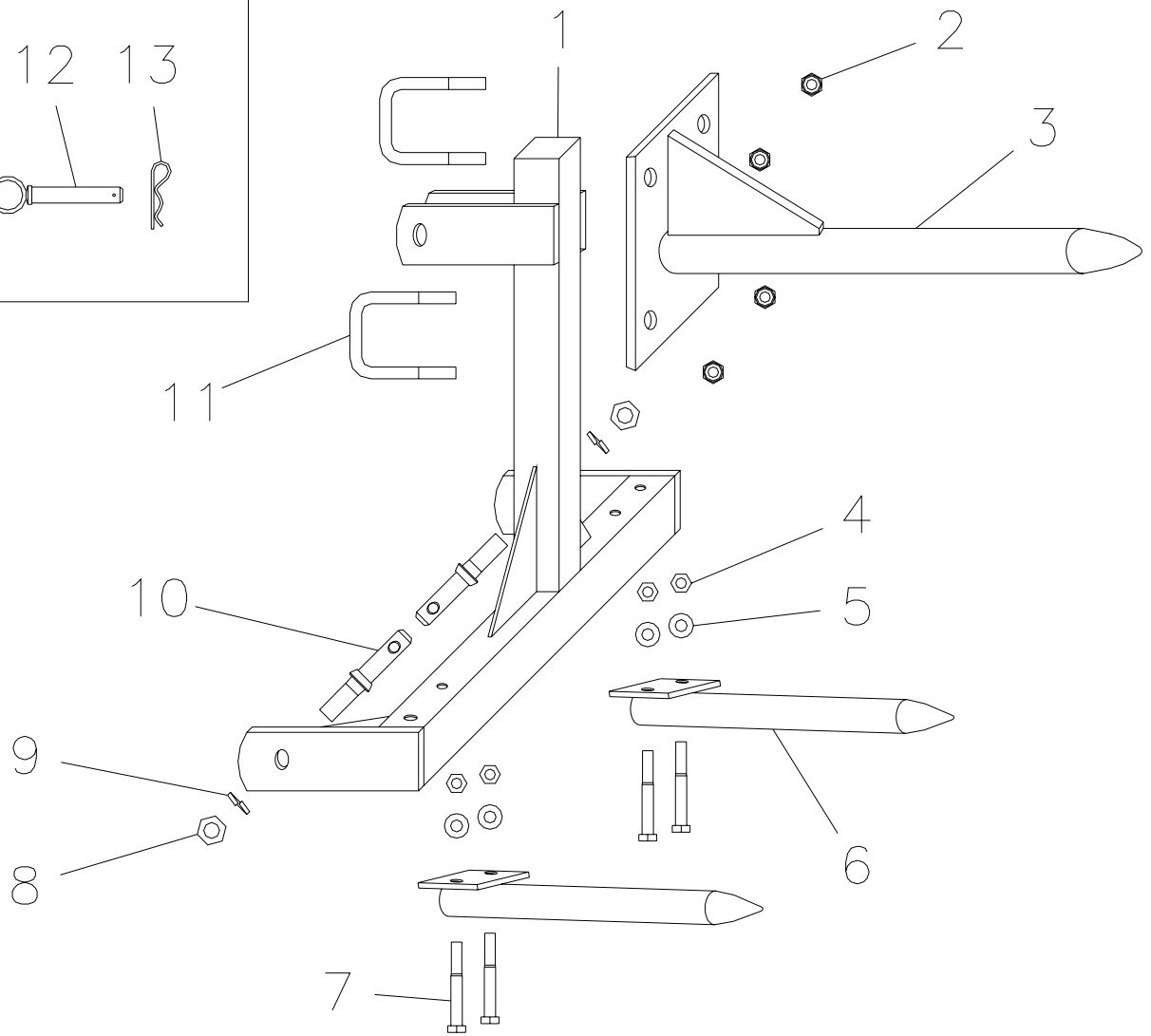
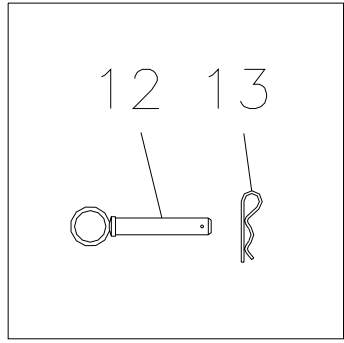


Bale Spear

BSPR/03048

Homier Distributing Company

84 Commercial Road • Huntington, IN 46750 • (800) 348-5004 • Fax: 260-358-4159
www.homier.com or www.farmprotractors.com



Parts List

Item	Part No.	Description	Qty.
1	BSPR/03048-03	Spear Frame	1
2	BSPR/03048-04	Locking Nut M16	4
3	BSPR/03048-05	Main Spear	1
4	BSPR/03048-06	Nut M14	4
5	BSPR/03048-07	Washer M14	4
6	BSPR/03048-08	Lower Spear	2
7	BSPR/03048-09	Bolt M14x100	4
8	3PTF/03052-08	Nut M22	2
9	3PTF/03052-07	Lock Washer M22	2
10	3PTF/03052-06	Lift Pin	2
11	BSPR/03048-11	U-Bolt M16	2
*12	<i>BSPR/03048-01</i>	<i>Pin</i>	<i>1</i>
*13	<i>BSPR/03048-02</i>	<i>Hair Pin</i>	<i>1</i>
<i>* Optional Parts</i>			